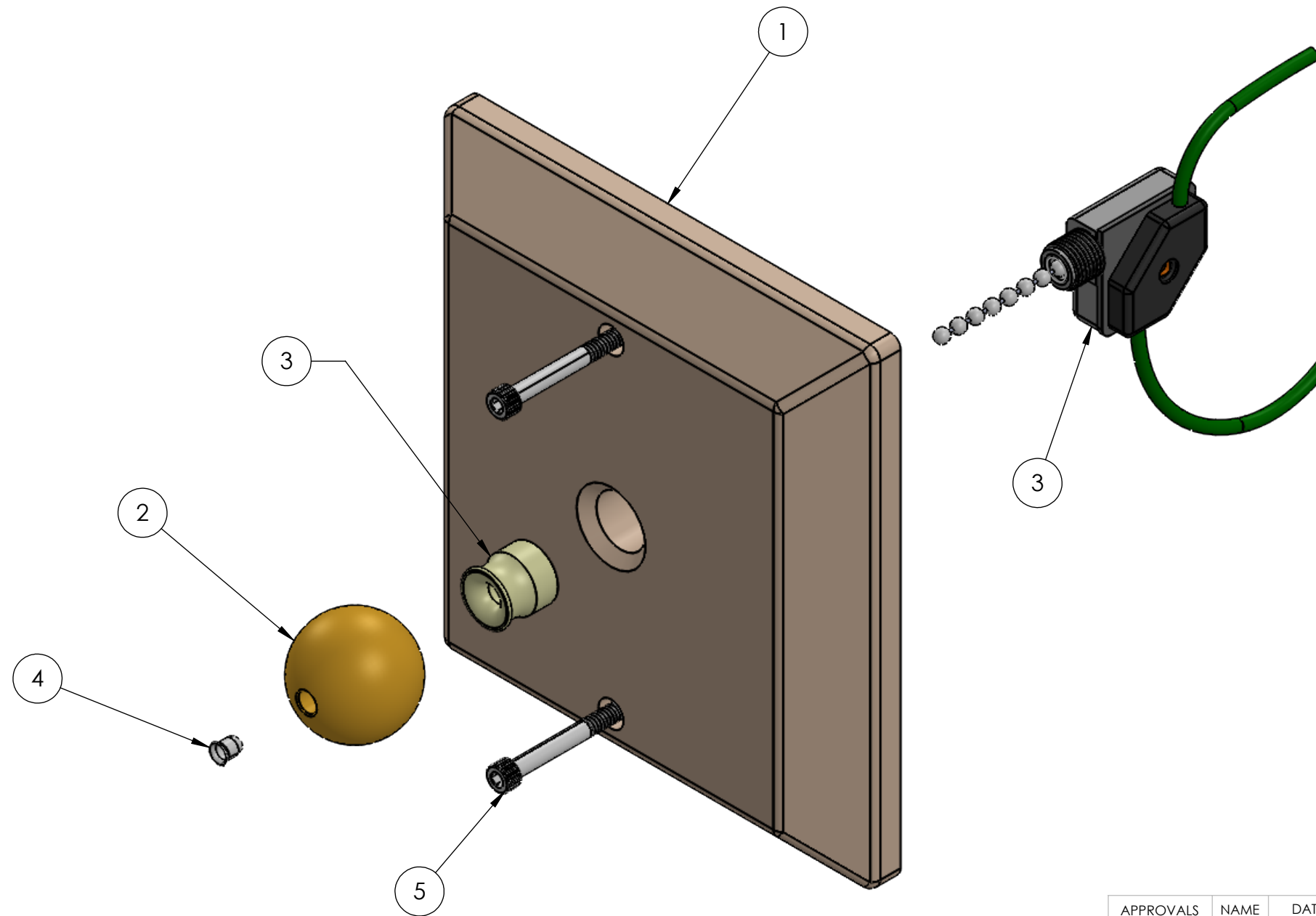


ITEM NO.	FILE NAME	DESCRIPTION	QTY.
1	ballswitch_plate	Ball Switch, Plate	1
2	ballswitch_ball	Ball Switch, Ball	1
3	pull-chain-switch	Leviton 10097-8 Pull Chain Switch, Single Pole, On-Off)	1
4	pull-chain-sleeve	6-S1 Nickel Plated Brass Sleeve, SLEEV-6-NPB	1
5	SHCS_6-32x1.50_18-8_92196A157	SHCS, 6-32 x 1 1/2" L, 18-8 SS, McMaster 92196A157	2

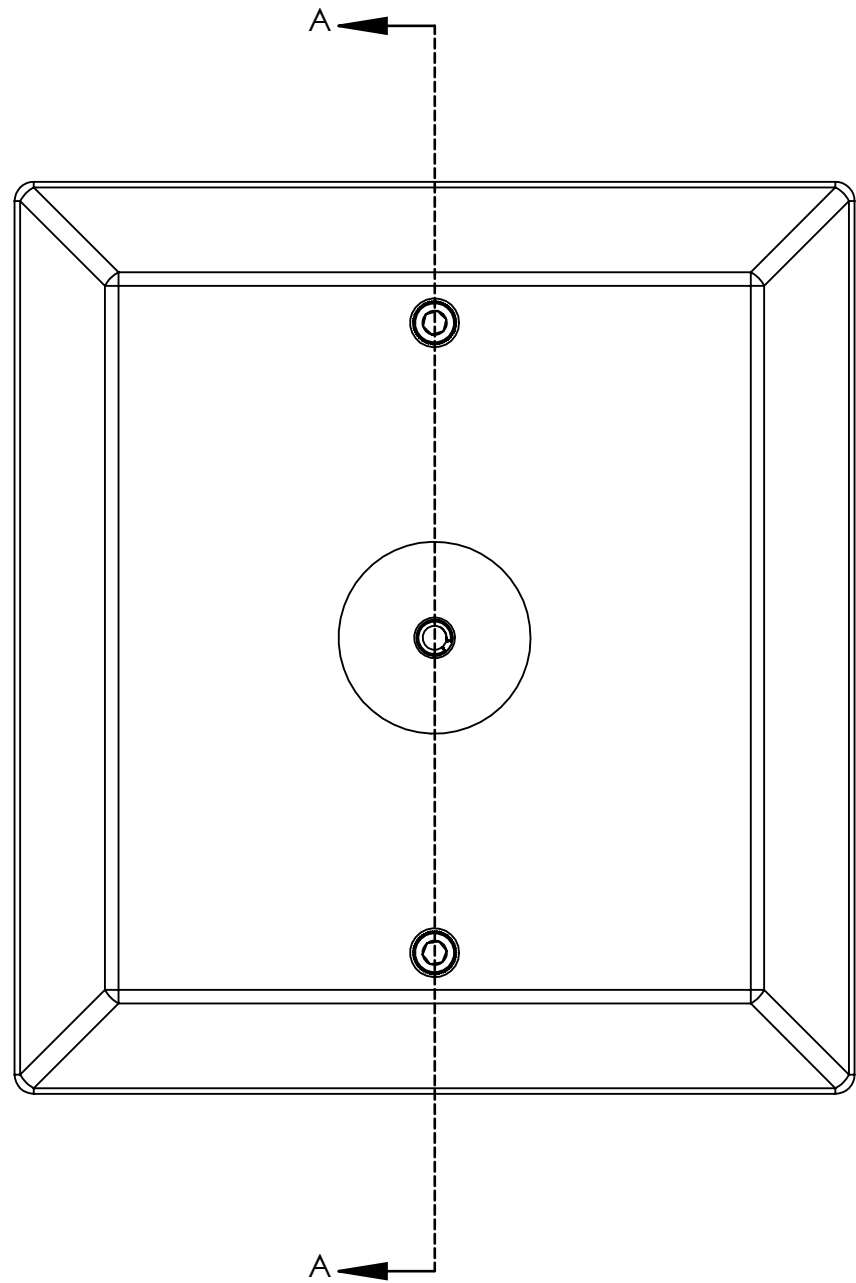
THE INFORMATION CONTAINED IN THIS DRAWING IS RELEASED UNDER THE CC BY LICENSE
© 2026 John Magolske | CC BY 4.0



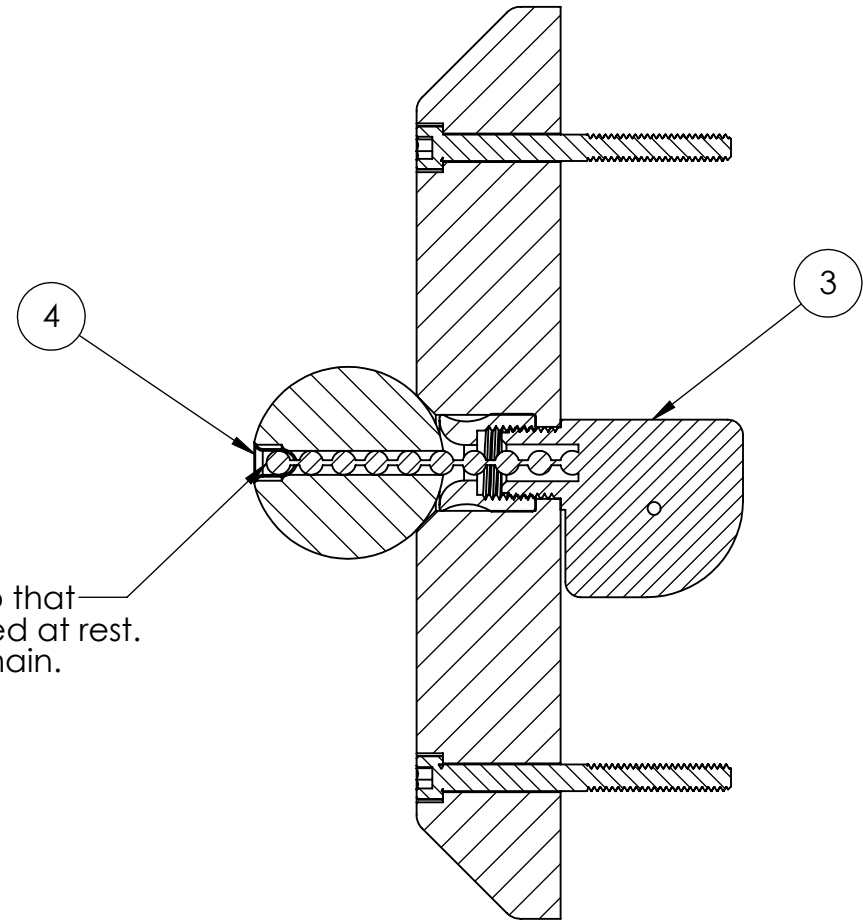
NOTES: UNLESS OTHERWISE SPECIFIED

- ITEM 3, PULL CHAIN SWITCH: <https://leviton.com/products/10097-8>
- ITEM 4, SLEEVE: <https://www.ballchain.com/6-s1-nickel-plated-brass-sleeves/>
- More Info on the Ball Switch: <https://b79.net/ball-switch>

APPROVALS	NAME	DATE	b79.net/ball-switch		
DESIGNER	Jfm	Apr 7, 2026	TITLE: Ball Switch		
INTERPRET PER ASME 14.100-2004, 14.5-2009.			SIZE	DWG. NO.	REV.
UNLESS OTHERWISE SPECIFIED:			B	ballswitch_01	01
DIMENSIONS ARE IN INCHES. TOLERANCES: ANGULAR, ±0.5° .XX ±.010 .XXX ±.005			DO NOT SCALE DRAWING		SCALE: 1:1
THIRD ANGLE			SHEET 1 OF 4		

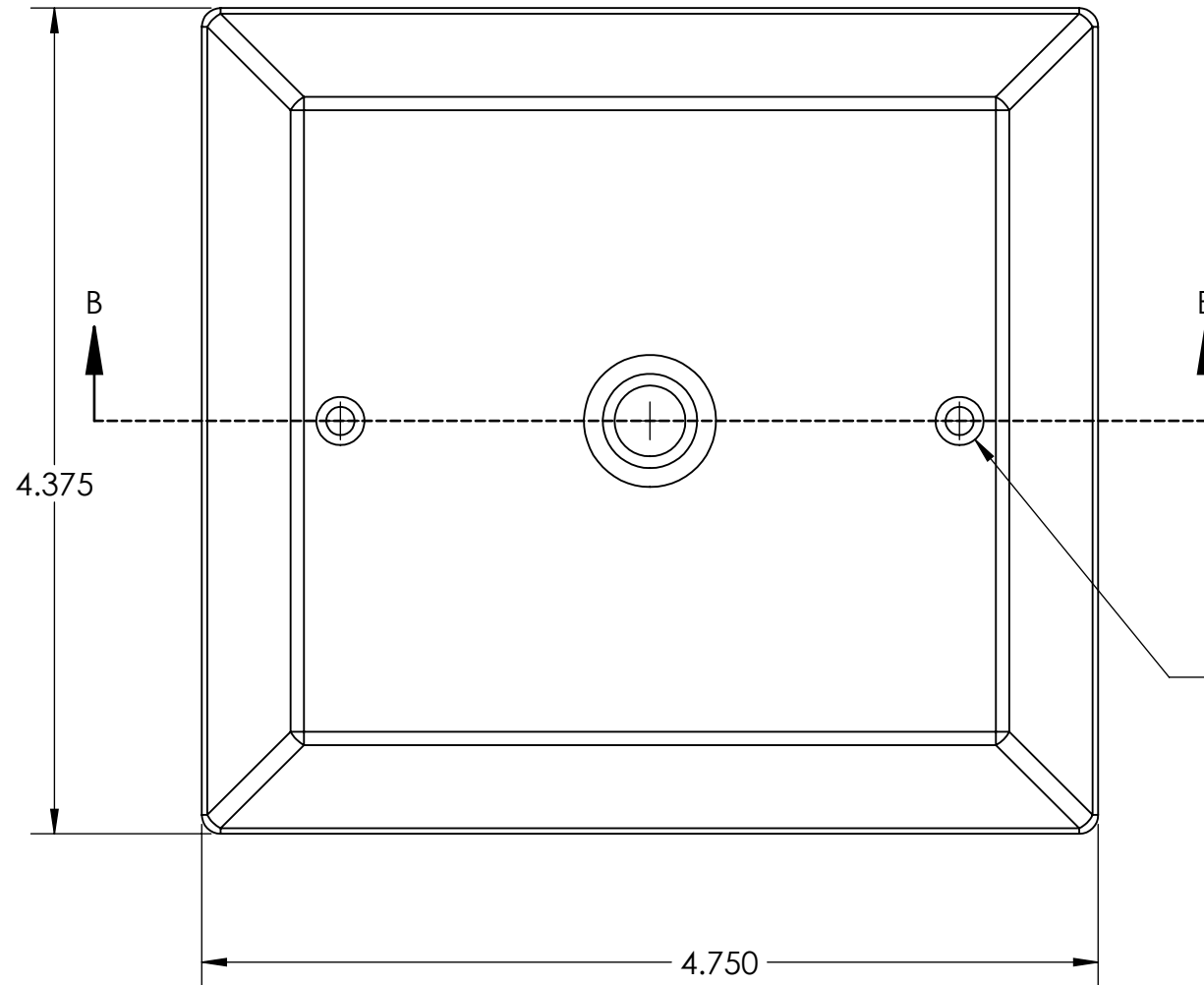
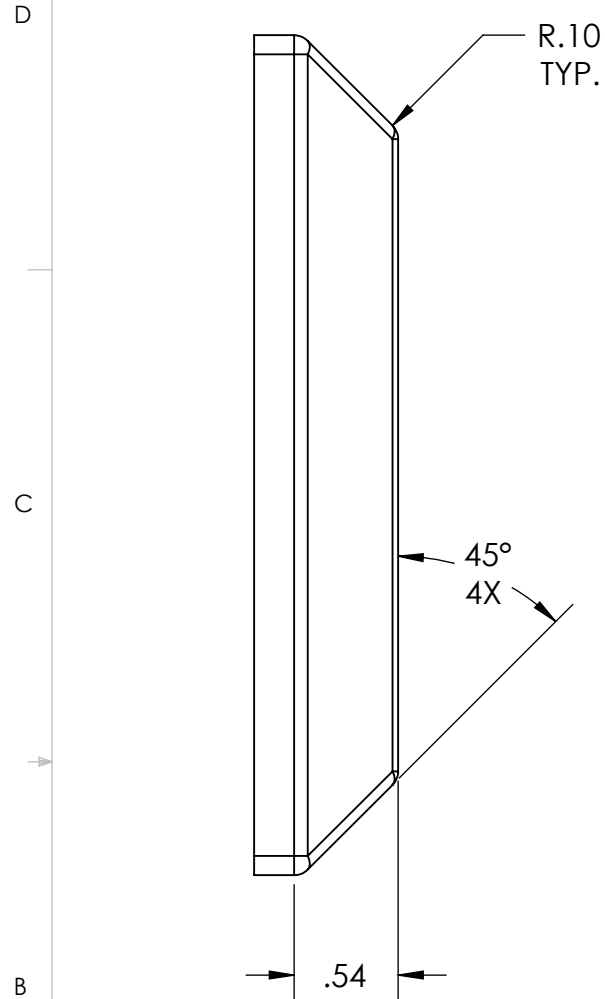


Position Sleeve on ball chain so that switch is appropriately tensioned at rest. Cut and remove excess ball chain.

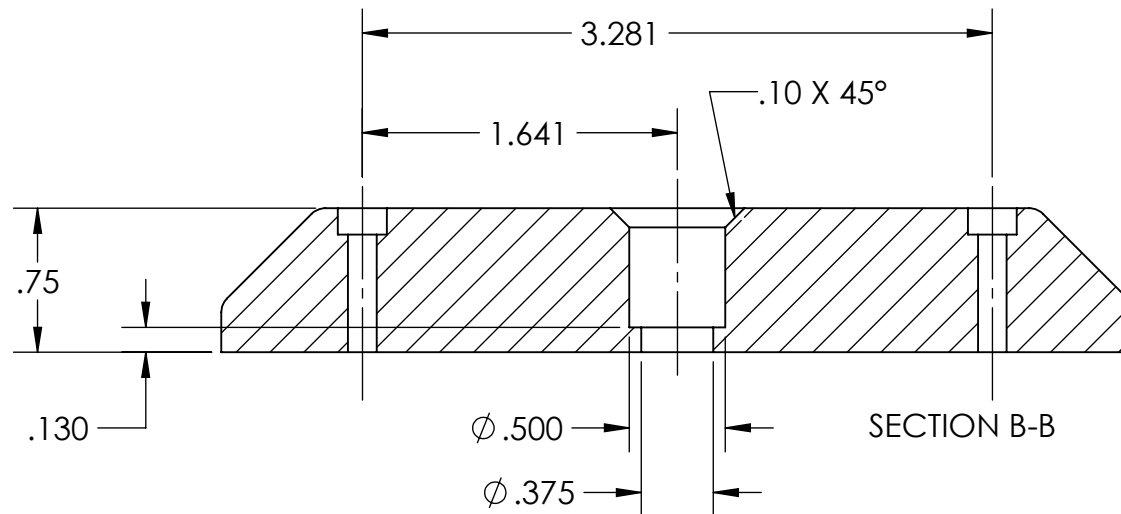
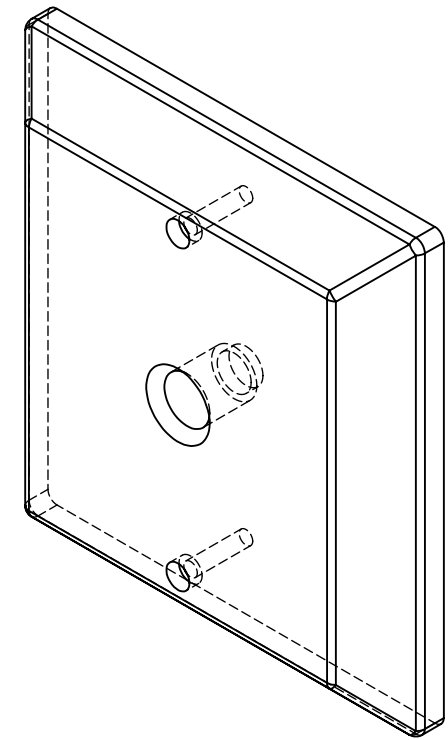


SECTION A-A

APPROVALS	NAME	DATE	b79.net/ball-switch		
DESIGNER	JfM	Apr 7, 2026	TITLE:		
INTERPRET PER ASME 14.100-2004, 14.5-2009.			Ball Switch, Assembly		
UNLESS OTHERWISE SPECIFIED:			SIZE	DWG. NO.	REV.
DIMENSIONS ARE IN INCHES. TOLERANCES: ANGULAR, ±0.5° .XX ±.010 .XXX ±.005			B	ballswitch_01	01
THIRD ANGLE			DO NOT SCALE DRAWING	SCALE: 1:1	SHEET 2 OF 4

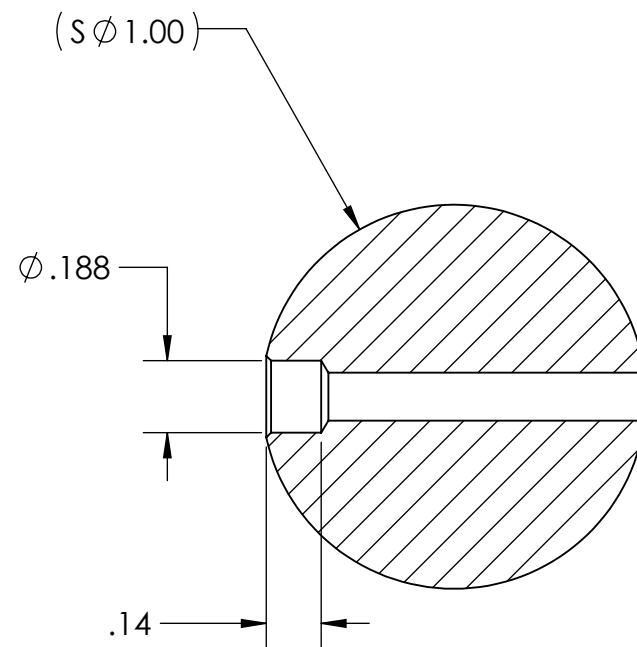
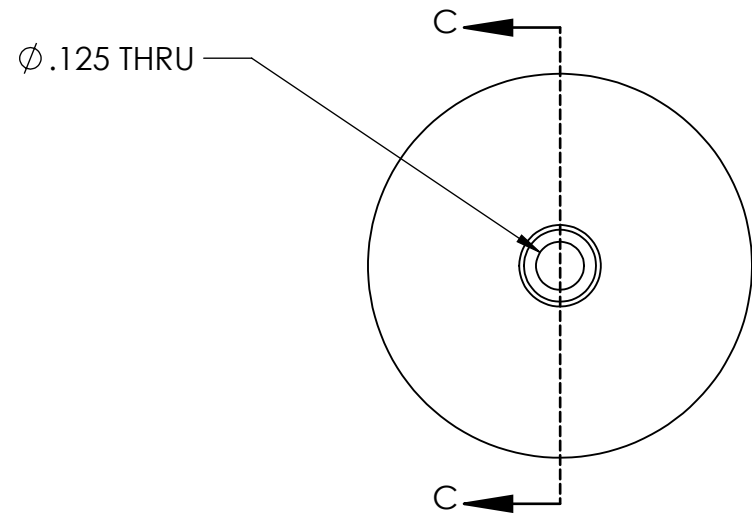


2X ϕ .150 THRU ALL
 \square ϕ .255 ∇ .138

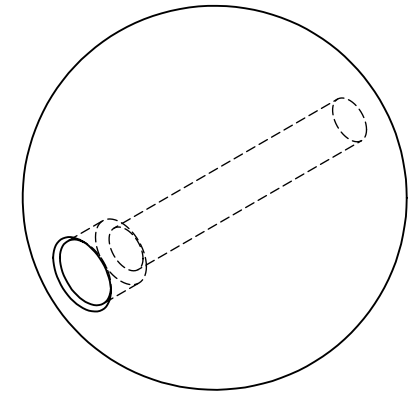


- NOTES: UNLESS OTHERWISE SPECIFIED
- MATERIAL: 3/4" THICK WOOD
 - REMOVE BURRS AND SHARP EDGES

APPROVALS	NAME	DATE	b79.net/ball-switch		
DESIGNER	Jfm	Apr 7, 2026	TITLE: Ball Switch, Plate		
INTERPRET PER ASME 14.100-2004, 14.5-2009.			SIZE	DWG. NO.	REV.
UNLESS OTHERWISE SPECIFIED:			B	ballswitch_01	01
DIMENSIONS ARE IN INCHES. TOLERANCES: ANGULAR, $\pm 0.5^\circ$. .XX $\pm .010$.XXX $\pm .005$			DO NOT SCALE DRAWING		
THIRD ANGLE			SCALE: 1:1	SHEET 3 OF 4	



SECTION C-C



NOTES: UNLESS OTHERWISE SPECIFIED

1. MATERIAL: 1 INCH DIAMETER WOOD BALL, BIRCH OR MAPLE
2. REMOVE BURRS AND SHARP EDGES

APPROVALS	NAME	DATE	b79.net/ball-switch		
DESIGNER	JfM	Apr 7, 2026	TITLE: Ball Switch, Ball		
INTERPRET PER ASME 14.100-2004, 14.5-2009.			SIZE	DWG. NO.	REV.
UNLESS OTHERWISE SPECIFIED:			B	ballswitch_01	01
DIMENSIONS ARE IN INCHES. TOLERANCES: ANGULAR, ±0.5° .XX ±.010 .XXX ±.005			THIRD ANGLE	DO NOT SCALE DRAWING	SCALE: 2:1 SHEET 4 OF 4