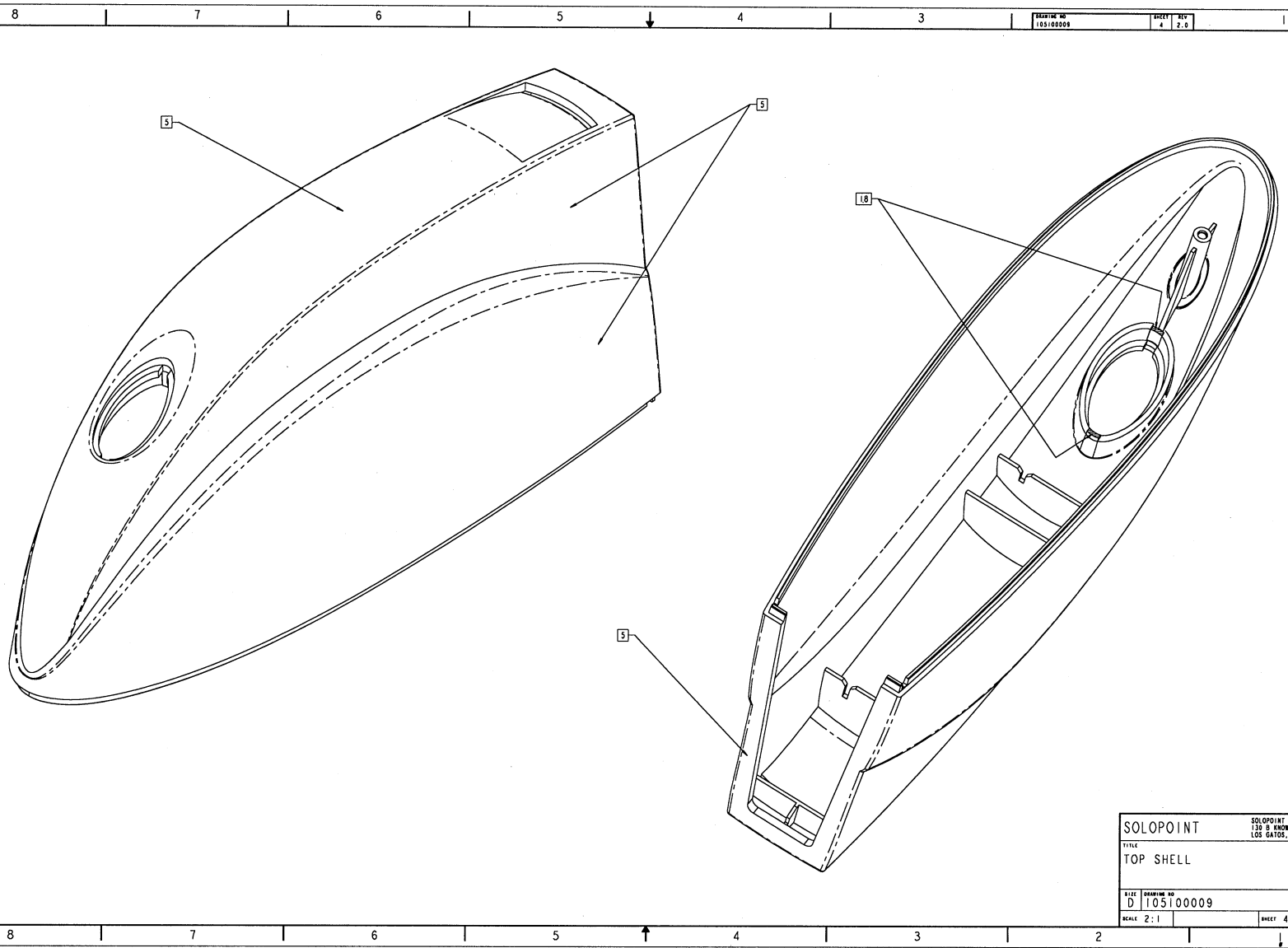


DRAWING NO  
105100009

SHEET  
4

REV  
2.0



SOLOPOINT		SOLOPOINT 130 S BRIDGES DRIVE LOS GATOS, CA 95030	
TITLE TOP SHELL			
SCALE	DRAWING NO	REV	
2:1	D 105100009	2.0	
SHEET 4 OF 4			